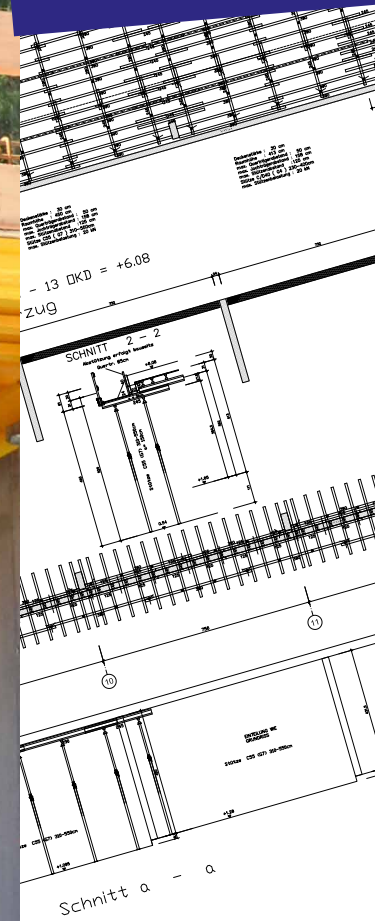
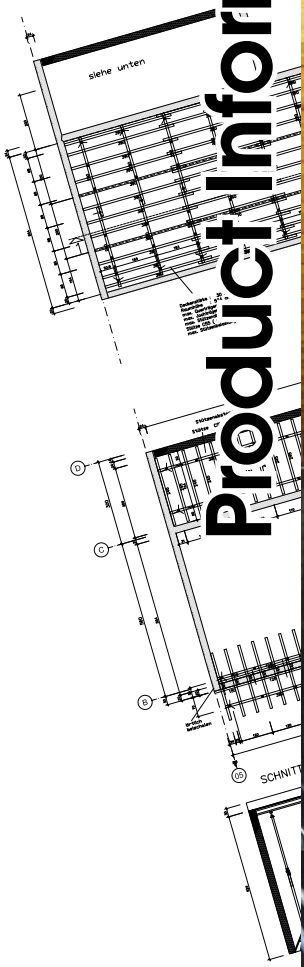


H 20 girder

NEW
Girder length
180 cm

Product Information



Service in Formwork + Shoring

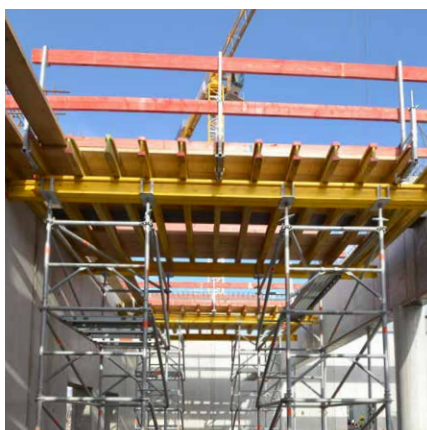
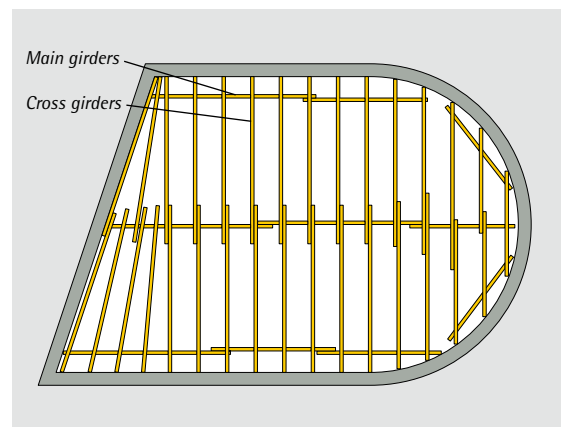
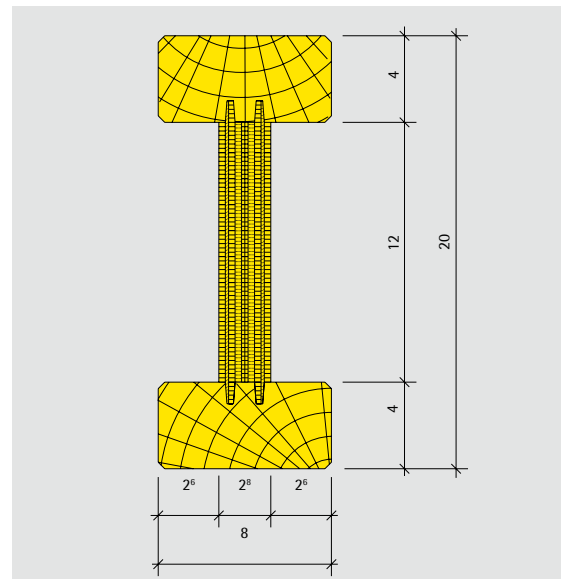
H 20 girder

Wooden girders for different formwork and shoring systems

H20 girders convince by their universal applicability in different systems and are therefore used on construction sites worldwide.

- use with shoring systems (also slab and beam formwork) and for girder wall formwork
- deployable as main and cross beam
- absorption of a high bending moment
- low weight, easy handling

The section, designed to meet static requirements, enables the absorption of a high bending moment with low weight.



Use with the shoring system TG 60

Slab formwork PASCHAL Deck:
The H20 girder is overlapped in both directions as main and cross beam and therefore adapts flexibly to any room size and geometry.



Technical Data	H 20 Girder
Girder height	20 cm
Girder lengths	180 / 245 / 290 / 330 / 360 / 390 / 490 / 600 cm
Max. bending moment	adm. M = 5,0 kNm
Max. shear force	adm. Q = 11,0 kN

www.paschal.com

PASCHAL-Werk G. Maier GmbH · Kreuzbühlstraße 5 · 77790 Steinach · Germany
Phone: +49 7832 71-0 · Fax: +49 7832 71-209 · service@paschal.com · www.paschal.com

PASCHAL
Service in Formwork + Shoring